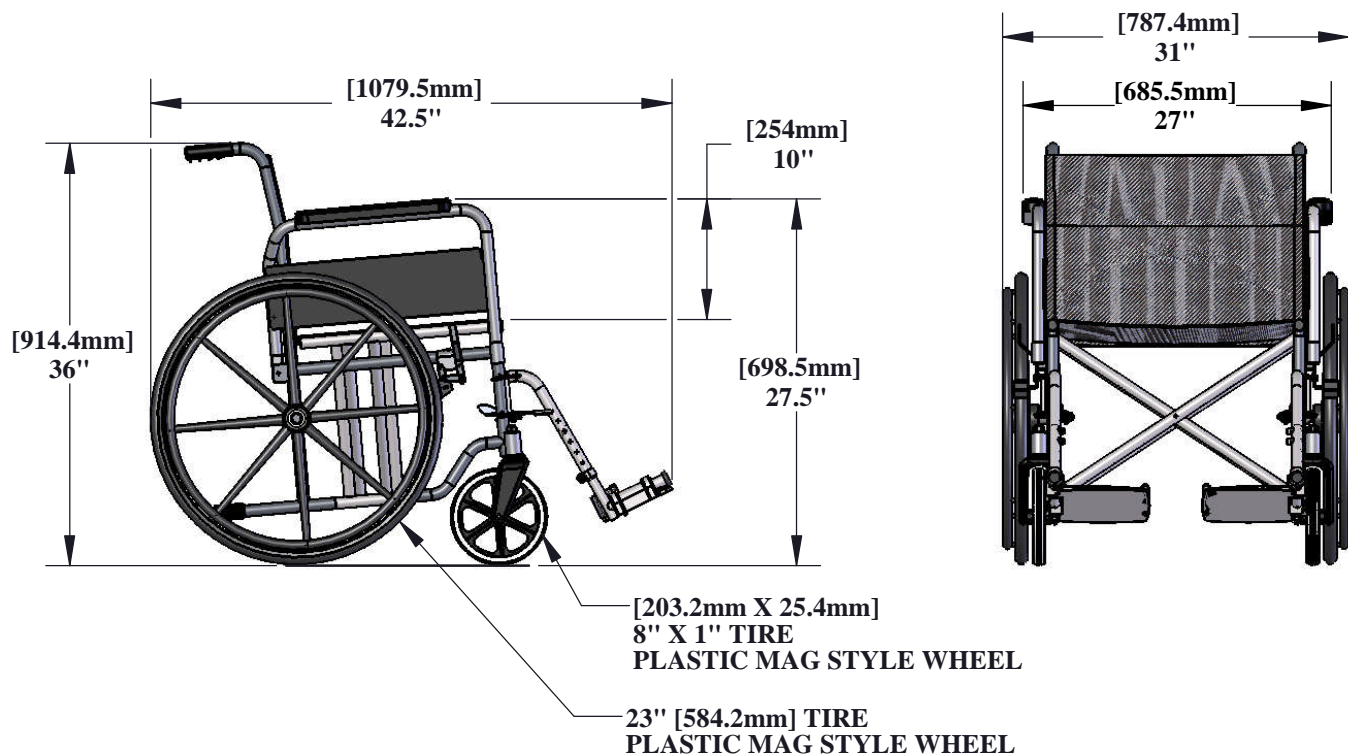


24" STAINLESS STEEL FOLDING WHEELCHAIR



SPECIFICATIONS

THE AQUA CREEK STAINLESS STEEL FOLDING AQUATIC WHEELCHAIR SHALL BE FABRICATED FROM MATERIALS 100% COMPATIBLE WITH SWIMMING POOL WATER. THE WHEELCHAIR SHALL BE SUITABLE FOR DAILY IMMERSION IN SWIMMING POOL WATER. IT SHALL HAVE A CAPACITY OF 375LBS [170 kgs]. ALL METALLIC PARTS SHALL BE MADE OF STAINLESS STEEL. THE FRAME SHALL HAVE A DOUBLE CROSS BRACE, AND UTILIZE BENT TUBING WITH NO SHARP CORNERS. ALL WHEELS SHALL HAVE SOLID PLASTIC TIRES WITH PLASTIC MAG-STYLE WHEELS. UPHOLSTERY FABRIC SHALL BE TREATED TO BE BOTH ANTI-FUNGAL AND ANTI-MILDEW. ARMRESTS SHALL BE ABLE TO FLIP-UP FOR TRANSFERS. FOOTRESTS SHALL BE REMOVABLE, AND SHALL ALSO FOLD UP.



- FRAME: TYPE 304 STAINLESS STEEL TUBING, MIRROR POLISHED.
- UPHOLSTERY: PVC MESH - MEETS CALIFORNIA 117 BULLETIN FOR FIRE RETARDENCY.
- REAR WHEEL: 23" X 1 1/4" [584.2 X 31.75 mm] SOLID URETHANE TIRE ON PLASTIC 'MAG' STYLE WHEEL.
- FRONT CASTER: 8" X 1" [203.2 X 25.4 mm] WIDE SOLID FOAM-FILLED TIRE ON PLASTIC 'MAG' STYLE WHEEL.
- WHEEL BUSHINGS: ACETYL PLASTIC.
- FOOT RESTS: STAINLESS STEEL FRAME WITH FOLDING PLASTIC FOOTPLATE. REMOVABLE RIGGING. HEEL LOOP FIXED TO FOOTPLATE.
- WHEEL LOCKS: LEVER OPERATED. STAINLESS STEEL WITH NYLON WASHERS, RUBBER HANDLES, AND PLASTIC CONTACT FOOT. ADJUSTABLE.

9889 GARRYMORE LANE
 MISSOULA, MT 59808
 (406) 549-0769
 FAX (406) 549-2602

Aqua Creek Products
 The Total Solution for Pool and Spa Access

NOTE:
 *SPECIFICATIONS ARE SUBJECT TO CHANGE WITHOUT NOTICE
 *ALL DIMENSIONS ARE IN INCHES

PRODUCT:	F-24SSWC	
DWG #:	F-24SSWC-1	
SCALE:	1:16	DATE: 7/15/15
DRAWN BY:	KR	REVISION: B