



**Aqua Creek Products**  
The Total Solution for Pool and Spa Access



**UNDER WATER WALKER™**  
**PART #: F-605UW**

**\*WEIGHT CAPACITY: 300LBS [136kg]**

9889 GARRYMORE LANE  
MISSOULA, MT 59808  
1-888-687-3552  
FAX: 406-549-2602  
[www.aquacreek.com](http://www.aquacreek.com)



**WARNING**

**IMPORTANT SAFETY INSTRUCTIONS**

- 1. READ AND FOLLOW ALL INSTRUCTIONS. SAFETY CAN ONLY BE ENSURED IF THE WALKER IS USED AND ASSEMBLED PROPERLY – AS PER THESE INSTRUCTIONS.**
- 2. WARNING- TO REDUCE RISK OF INJURY, DO NOT PERMIT CHILDREN TO USE THIS PRODUCT UNLESS THEY ARE CLOSELY SUPERVISED AT ALL TIMES.**
- 3. WARNING- DO NOT PERMIT CHILDREN TO PLAY ON THIS PRODUCT.**
- 4. SAVE A COPY OF THESE INSTRUCTIONS.**

**\*NOTE: INTENDED FOR UNDER-WATER USE ONLY**

# **THE UNDER WATER WALKER™**

The Under Water Walker can be used in two ways. It can be used in its standard configuration without arm cradles that allows a person to use it as they would a normal walker, by gripping onto the horizontal cross supports and supporting themselves using their hands (see photo below, left) or it can be used with the arm cradles that allow the user to rest their forearms on the horizontal cross supports and brace their body using their forearms.

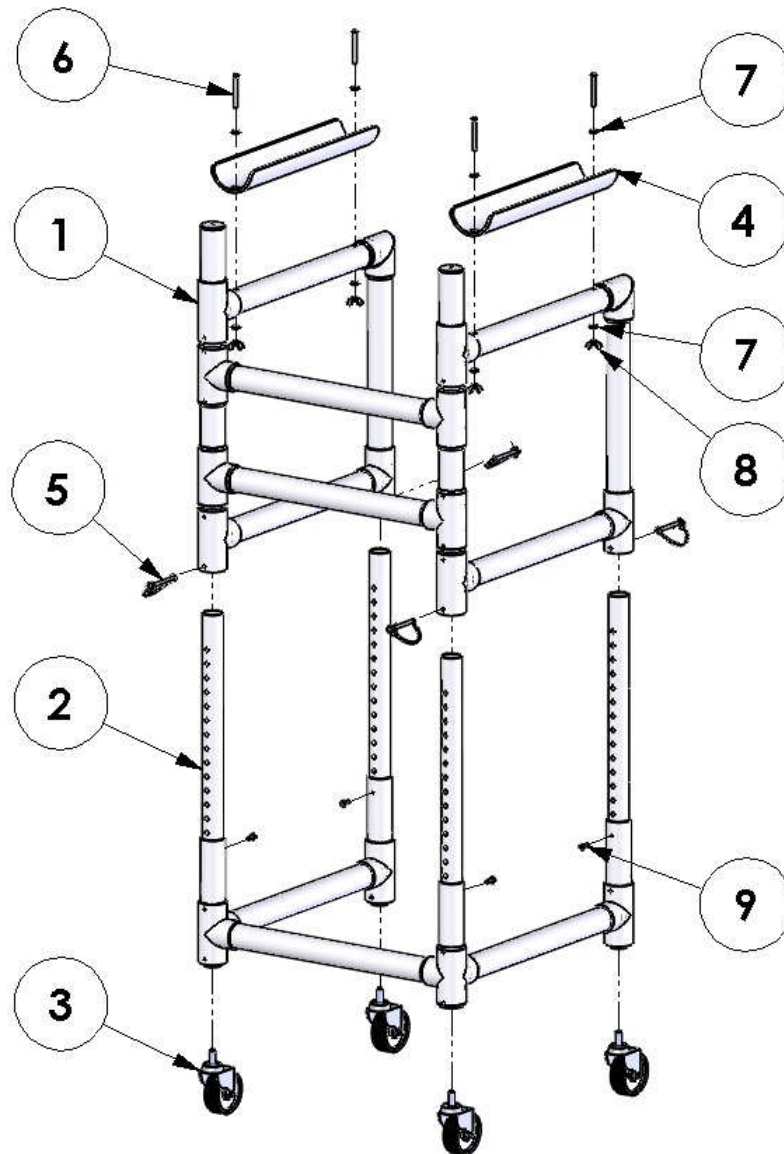


**STANDARD WALKER**



**WALKER WITH ARM CRADLES**

The Aqua Creek Products' Under Water Walker has been designed to provide the user ultimate comfort and adjustability. Before using the Under Water Walker review the diagram below and familiarize yourself with the parts and features of the walker.



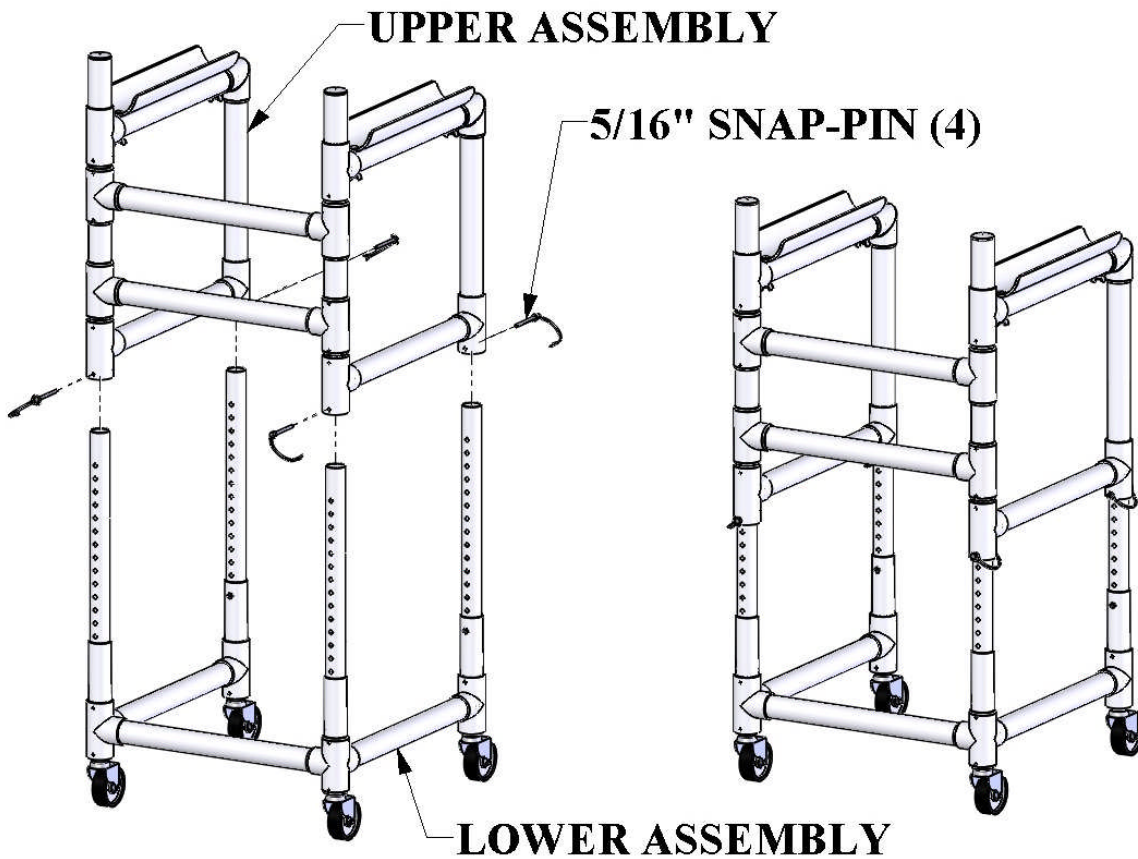
ITEM NO.	QTY.	DESCRIPTION
1	1	UNDER WATER WALKER UPPER ASSEMBLY
2	1	UNDER WATER WALKER LOWER ASSEMBLY
3	4	3" STEM CASTER, 316 SS
4	2	ARMREST CRADLE
5	4	PIN, SS, SNAP PIN 5/16" X 2"
6	4	BOLT, 316 SS, 1/4 X 2 1/4 BHSCS
7	8	WASHER, FLAT, 1/4, 316 SS
8	4	NUT, WING NUT, 18-8, 1/4-20
9	4	SCREW, 316 SS, #12 X 3/4", PH

## **ADJUSTING THE UNDER WATER WALKER™**

The Under Water Walker is easily adjustable for height. It is adjustable in one-inch increments from 32" to 45", measured from the floor to the armrests. To adjust the height;

- 1] Remove the four (4) 5/16" snap-pins.
- 2] Slide the Upper Assembly up or down until the desired height is obtained.
- 3] Replace the four (4) snap-pins and snap the clip over the pin to hold it in place.

**HINT:** Count the holes from the bottom up to the desired hole/location to make sure all four snap-pins are at the same height. If the armrests/arms aren't level adjust the snap-pins until they are (pins in same height-number hole).





## **HEIGHT ADJUSTMENT FOR ARM-CRADLE USE**

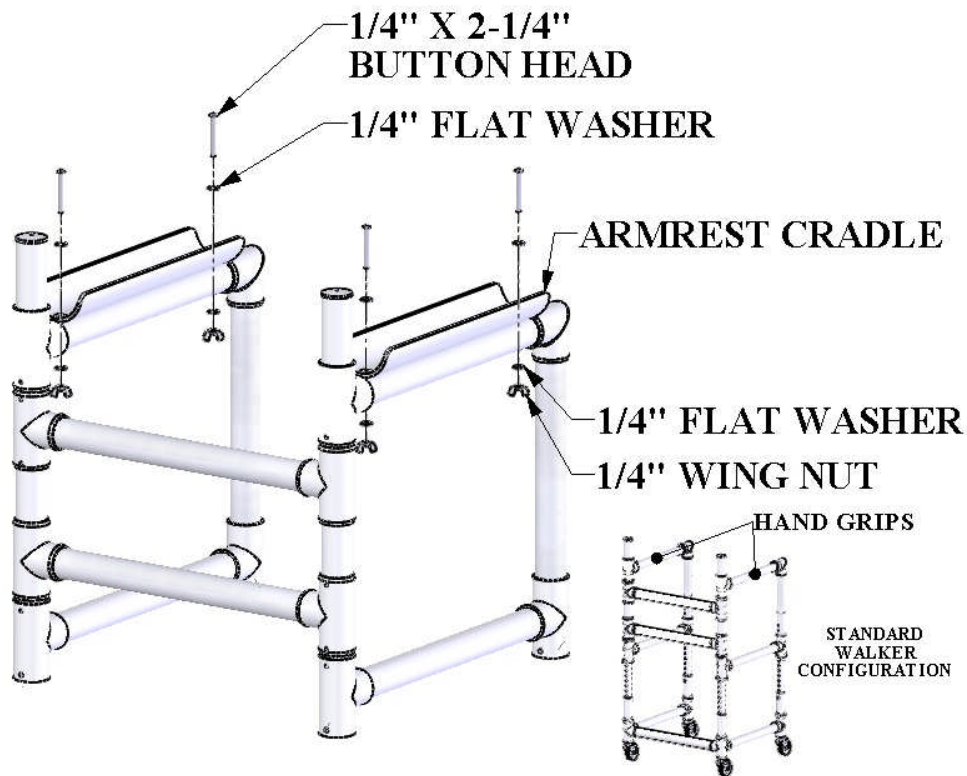
To use the Under Water Walker with the armrest cradles the height should be adjusted so that the arms are bent 90 degrees at the elbow and the cradles are at elbow height for maximum comfort. Adjust the height (see “ADJUSTING THE UWW”) until the armrests are as shown in the photo below. This configuration gives the user the maximum amount of support and can be used for patients and users that need extra support.



## CONVERTING THE WALKER TO STANDARD

The Under Water Walker can be used with the armrest cradles, or the armrest cradles can be removed for use as a “standard” walker. To convert the Under Water Walker to a standard walker, follow the following steps;

- 1] Remove the four (4) Wing Nuts from underneath the armrests (no tools required).
- 2] Remove the four (4) 1/4" x 2-1/4" Button-Head Cap Screws from the Cradles.
- 3] Remove the Armrest Cradles. Save the Cradles and the hardware for reattachment.



### THE STANDARD CONFIGURATION WALKER:

In the “Standard” configuration the armrests become hand grips, as shown in the photo. To use the Under Water Walker in the standard configuration it must be adjusted lower so that the arms are slightly bent at the elbow when walking. In any case, adjust the height for optimal comfort before using.

**AQUA CREEK PRODUCTS, LLC LIMITED ONE (1) YEAR WARRANTY:  
UNDERWATER WALKER  
(ITEM #'s F-605UW)**

Aqua Creek Products, LLC (a.k.a. Aqua Creek) warrants to the original end user purchaser that products manufactured by Aqua Creek, when properly installed in accordance with assembly and installation instructions and properly used and maintained, shall be free from defects in material and workmanship for a period of one (1) year from the date of original purchase, provided that Aqua Creek receives prompt notice in writing of any defect or failure and satisfactory proof thereof, with the following exceptions:

Exceptions:

- This warranty specifically excludes reimbursement for labor to remove, repair, or install the product and any freight charges.
- This warranty does not cover any damages due to accident, misuse, abuse, negligence or failure to properly maintain any products, or normal wear and tear from day to day operations.
- In the event that any products are altered, repaired, or improperly installed by anyone without the prior written approval by Aqua Creek, all warranties are void.

**IMPORTANT:** User is not to exceed the rated weight capacity of this product. It is the responsibility of the product owner to verify the weight of the patron for warranty claim purposes and to ensure that the product is not overloaded. To initiate a warranty claim, the owner of an Aqua Creek product must provide the place of purchase, in writing, with a full description of the product, its serial number, the dates of purchase and installation, and the exact nature of the defect. Within thirty (30) days after receipt of a written warranty claim by Aqua Creek, and barring any unforeseen delays, the place of purchase will be notified of Aqua Creek's decision regarding the claim. All warranty calculations are from date of original purchase at manufacturer's suggested retail price. Non-payment for product to Aqua Creek may void warranty.

If requested by Aqua Creek, any defective product must be returned, freight prepaid, to Aqua Creek's designated factory location or duly appointed distributor for inspection and/or repair. Aqua Creek will, at its option, repair or replace the failed or defective item, and deliver the repaired product or replacement to the seller of the product, freight prepaid to the destination provided for in the original order. Products returned to Aqua Creek for which Aqua Creek provides replacement under this limited warranty shall become the property of Aqua Creek.

A new warranty period shall NOT be established for the repaired or replaced products. Such products shall remain under warranty only for the remainder of the original warranty period on the original products purchased.

This written limited warranty constitutes the final, complete and exclusive statement of warranty terms. No person or organization is authorized to make any other specific or implied warranties or representations on behalf of Aqua Creek.

**THE WARRANTIES SET FORTH HEREIN ARE IN LIEU OF ALL OTHER WARRANTIES, EXPRESSED OR IMPLIED, WHICH ARE HEREBY DISCLAIMED AND EXCLUDED, INCLUDING WITHOUT LIMITATION ANY WARRANTY OF MERCHANTABILITY OR FITNESS FOR A PARTICULAR PURPOSE OR USE.**

**THE SOLE AND EXCLUSIVE REMEDIES FOR BREACH OF ANY AND ALL WARRANTIES WITH RESPECT TO THE PRODUCTS SHALL BE LIMITED TO REPAIR OR REPLACEMENT AT AQUA CREEK'S DESIGNATED FACTORY LOCATION, OR DULY APPOINTED DISTRIBUTOR, OR IN PLACE AT AQUA CREEK'S OPTION. IN NO EVENT SHALL AQUA CREEK'S LIABILITY EXCEED THE ENTIRE AMOUNT PAID TO AQUA CREEK BY THE ORIGINAL PURCHASER FOR THE FAILED OR DEFECTIVE PRODUCT.**

**IN NO EVENT SHALL AQUA CREEK PRODUCTS, LLC BE LIABLE FOR ANY INCIDENTAL, CONSEQUENTIAL, SPECIAL, INDIRECT, PUNITIVE OR EXEMPLARY DAMAGES OR LOST PROFITS FROM ANY BREACH OF THIS LIMITED WARRANTY OR OTHERWISE.**

Aqua Creek Products, LLC  
9889 Garrymore Lane  
Missoula, MT 59808  
Toll Free: (888) 687-3552  
Local/Intnl: (406) 549-0769  
[www.aquacreek.com](http://www.aquacreek.com)