

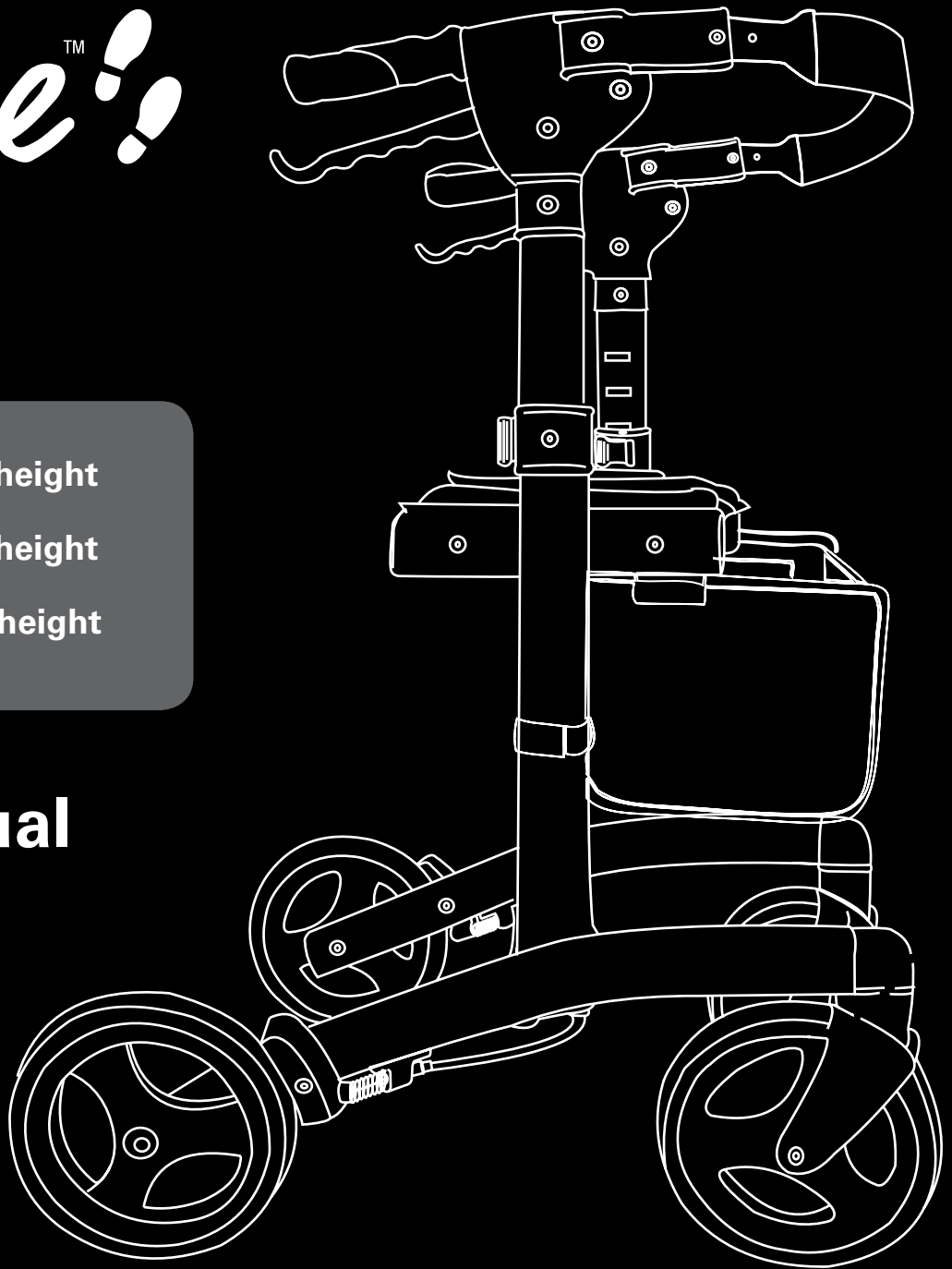
# Escape<sup>TM</sup>!

500-10191 - 19" Seat height

500-10211 - 21" Seat height

500-10241 - 24" Seat height

## User Manual



**Read Instructions carefully before use.**

**Rollator is designed for indoor & outdoor use.**

**Do NOT use as a wheelchair or as a transport chair.**

**Instruction manual must be given to the user.**



# 1. For Your Safety

- a) Do NOT use the rollator to carry heavy objects.
- b) Do NOT push the rollator when someone is sitting on the seat.
- c) Rollator must be fully unfolded when being used as a walking aid.
- d) Always check the brakes are working before using.
- e) Do NOT sit on rollator and push yourself around using your feet to propel.
- f) Do NOT stand on the seat.
- g) Parking brake must be applied before sitting.
- h) Do NOT use on stairs or escalators.
- i) Exercise caution when walking on sloped surfaces.
- j) Do NOT hang objects from the backstrap.
- k) Do NOT use if the rollator is not functioning properly.
- l) The weight capacity of the rollator is 250lbs/113Kgs.
- m) The weight capacity of the shopping bag is 11lbs/5Kgs.
- n) When storing your rollator, do not store other items on top of your rollator.

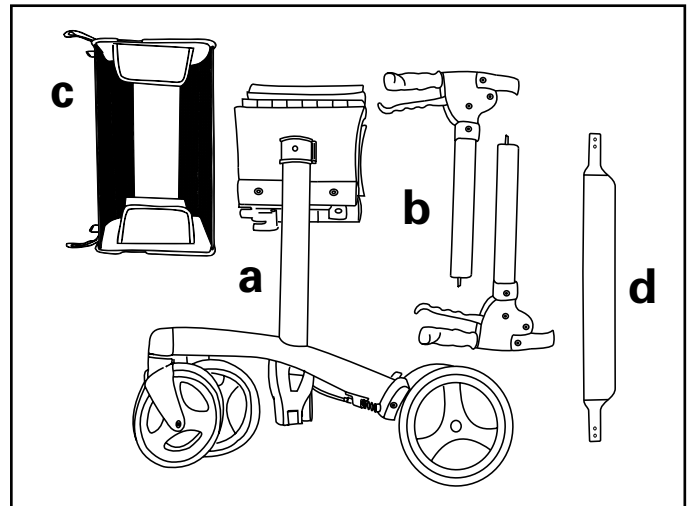
# 2. Assembly

## \* Phillips screwdriver required

The Triumph Mobility Escape rollator consists of the following parts.

- (a) Rollator frame.
- (b) Brake handles (pair).
- (c) Shopping Bag.
- (d) Backstrap & 2 screws and nuts.

Check each part carefully for shipping damage. Do not use the rollator if there are signs of damage and/or parts missing.

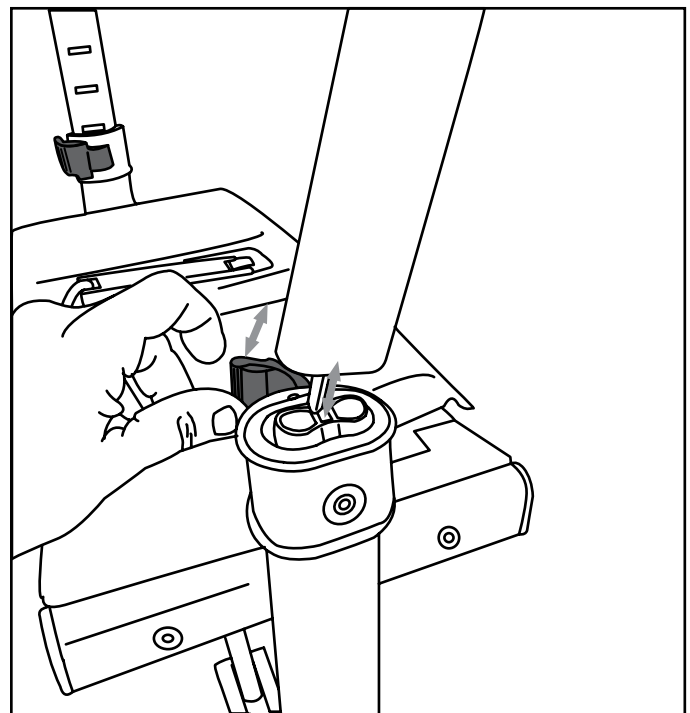


## Install the brake handles

Rollator should be in the unfolded position before beginning. While holding the 'RED' release lever in the open position, slide the brake handle into the frame. Rectangular slots on the brake handle tube should be facing inwards.

The metal rod protruding from bottom of brake handle tube must be inserted into the rectangular slot in the middle of the frame. Set the desired handle height, and close the 'RED' release lever. The release lever should 'click' when locked into the closed position.

**Note:** If brake handles are inserted with the rectangular slots facing outwards, you will be unable to set the handle height, as the 'RED' release lever will not close, and the brake will not function.

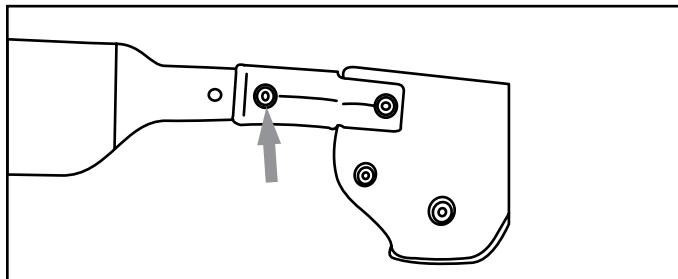
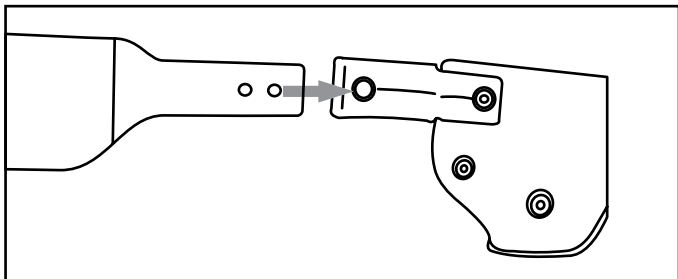


## Install the backstrap

Slide backstrap into the backrest connector. The padded side of the backstrap should face the inside of the rollator where it will meet the user's back while seated.

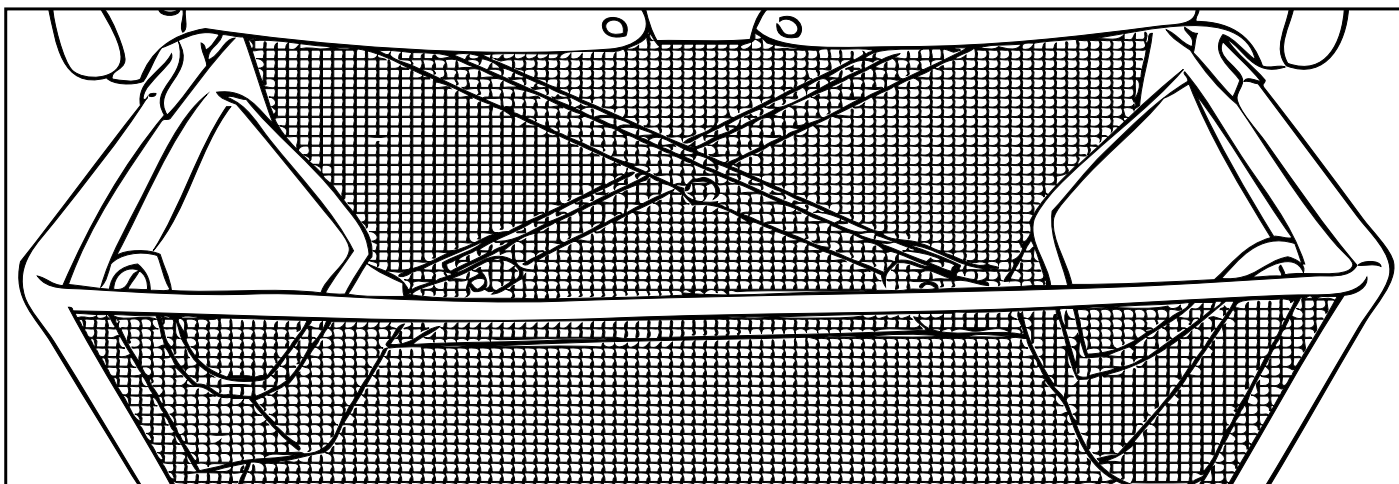
Secure the backstrap into position by inserting the screw and nut. The nut should be positioned into the hexagon shape hole on the inside of the backrest connector.

Tighten securely using a Philips screwdriver.



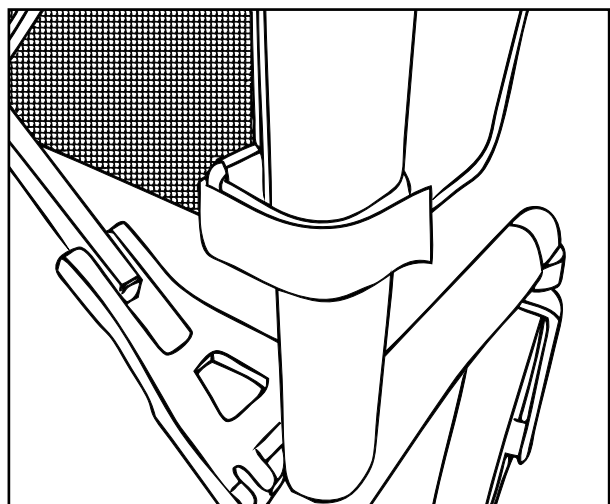
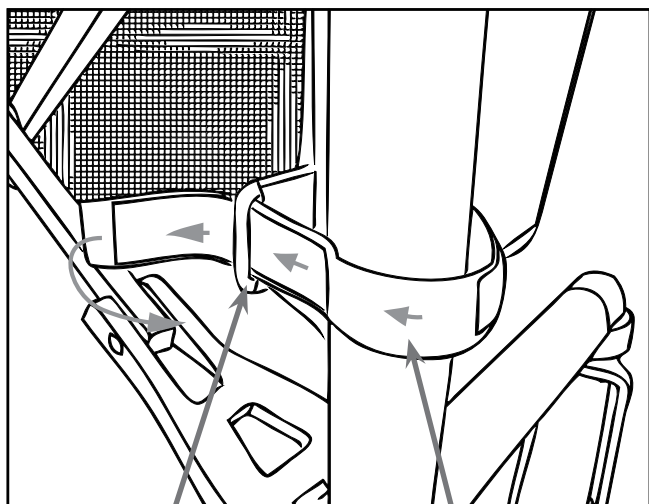
## Install the Shopping Bag

Fix the shopping bag into the brackets located under the seat at the front.



Loop the strap (velcro) around the frame and insert into wire tab

Firmly stick the strap



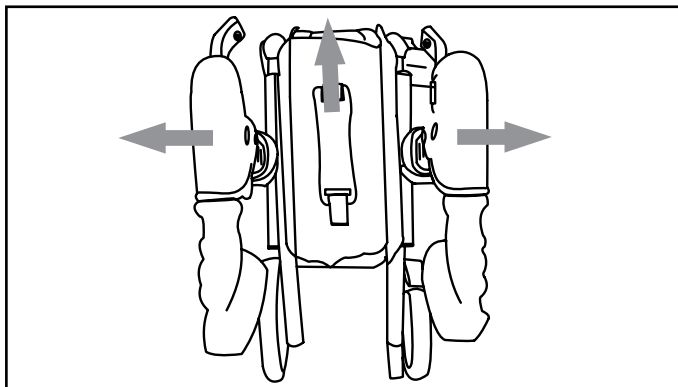
Wire Tab

Strap (Velcro)

### 3. Operating Your Rollator

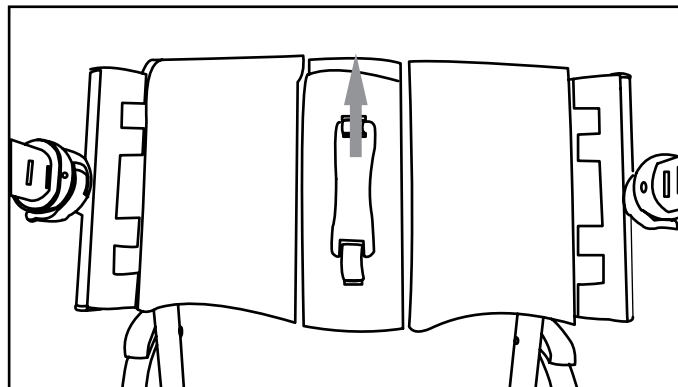
#### To unfold the Escape Rollator

To unfold rollator. Pull handles apart, and push down on the seat to lock into place.



#### To fold the Escape Rollator

To fold rollator pull up on the handle strap located in the centre of the seat.

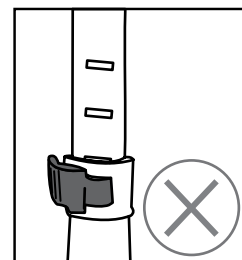
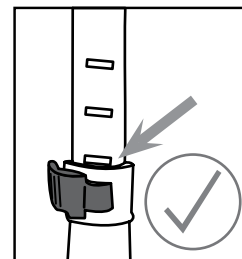
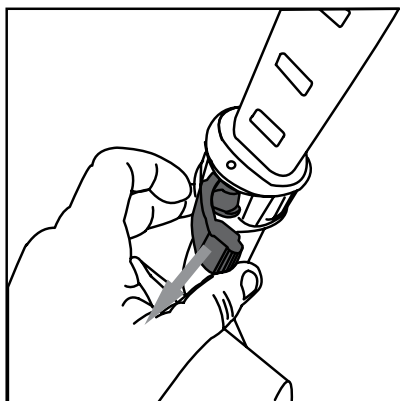


#### Adjust the Handle height

Pull the 'RED' release lever in the open position. Set the desired handle height, and close the 'RED' release lever. The release lever should 'click' when locked into the closed position.

**The bottom edge of the rectangular slot will line up with the top edge of the frame.**

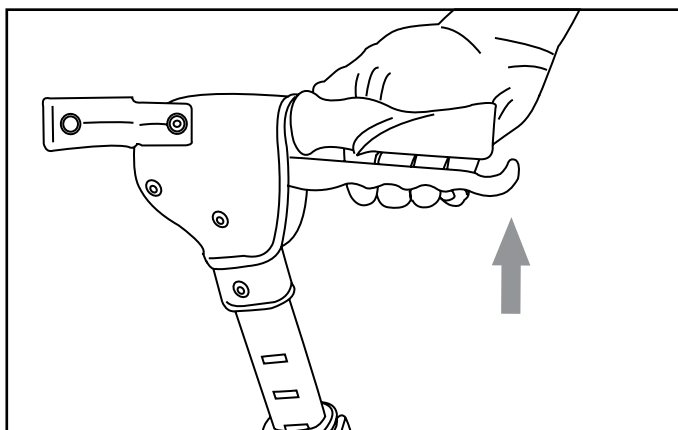
To determine the correct handle height of your rollator. Stand straight up with your hands on the handgrips, your arms should be slightly bent 20 – 30 degrees at your elbows.



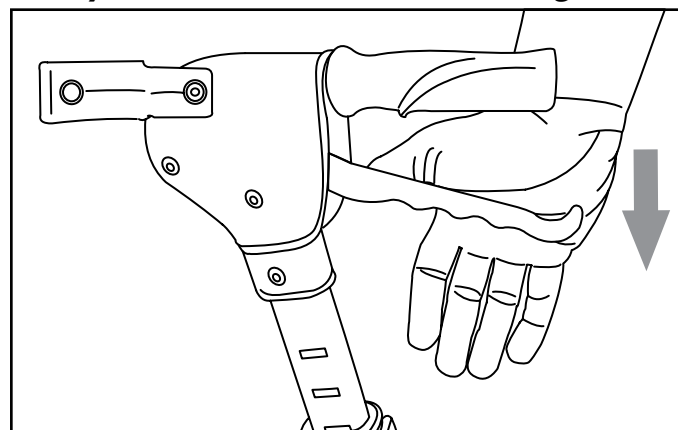
#### Using the Brakes

Pull up on brake handle to slow down or to release the parking brake.

Push down on brake handle to lock the brake into PARK.



**Always lock the brake before sitting.**



## Walking with the rollator

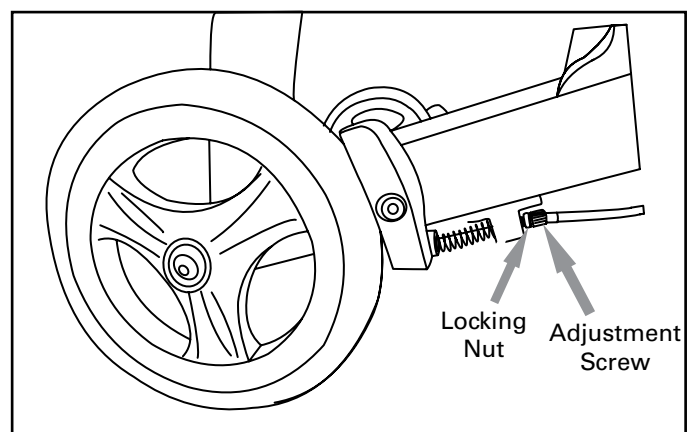
Stand up as straight as possible, and walk with the rollator close to your body. Keep your feet centred. Do not push the rollator away from your body, as this will cause you to bend your back, and could cause a fall.



## To adjust the brake tension

If the hand brake is too loose. Loosen the locking nut, and turn the adjustment screw counter clockwise.

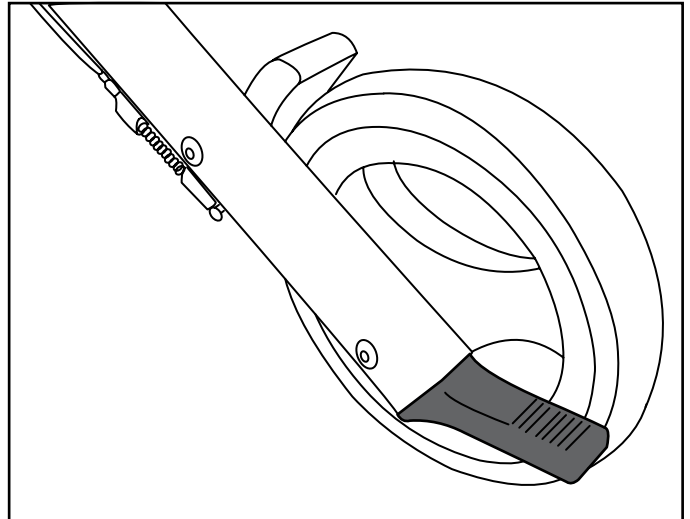
If the hand brake is too tight. Loosen the locking nut, and turn the adjustment screw clockwise.



## To use the curb climber

Use the curb climber to overcome obstacles such as curbs and thresholds.

To use keep both hands on the handles, and place foot onto the curb climber to lift the front wheels of the rollator.



## To sit on the Rollator

To sit on the rollator, ensure that the brakes are in the LOCKED position, and the rollator cannot move. Using the handles for stability carefully turn around. Gently touch the back of your legs on the edge of the seat, and sit down. Ensure both feet make contact with the ground while seated.

***DO NOT STOP ON SLOPED SURFACES!***



## Travelling with your Rollator

When travelling with your rollator, and your rollator will be stored out of sight, we recommend that you remove the brake handles from the frame of the rollator to prevent damage. For example when travelling on airplanes, long distance buses, etc. It is best that the handles be carried with you in your carry on bag if possible.

When re-assembling the rollator, check all parts of the rollator carefully for damage before using.

## 4. Maintenance

- a) Clean the rollator using mild soap and water. Wipe dry.
- b) Keep wheels clean.
- c) Check screws and handle height adjustments are tight.
- d) If your rollator is not working properly, discontinue use, and contact your dealer for service.

## Storage

Do not leave your rollator subject to the elements outside for extended periods.

When storing the rollator, do not store other objects on the rollator

## 5. Warranty

Triumph Mobility covers the Escape Rollator by a lifetime warranty on the frame, and a five (5) year warranty on the brake handles against defects in materials and workmanship. All other components are warrantied for one (1) year.

This warranty is valid for the original purchaser only, and is not transferrable. Triumph Mobility will not warranty any parts that have been damaged due to improper installation, modification, and /or misuse. For warranty service, please return your rollator to your local dealer. Service charges are at the discretion of the dealer, and are not the responsibility of Triumph Mobility.

## 6. Rollator Specifications

<b>Dimensions</b>	<b>Super Low</b>	<b>Low</b>	<b>Standard</b>
Seat Height	19" 48cm	21" 54cm	24" 61cm
Handle Height Range	28 - 35.5" 71 - 90cm	29 - 37" 74 - 94cm	32 - 40" 81.3 - 101.6cm
Distance between handles	18" 45.7cm	18" 45.7cm	18" 45.7cm
Distance between wheels	19" 48.25cm	19" 48.25cm	19" 48.25cm
Seat Size	18.5 x 9.5" 47 x 24cm	18.5 x 9.5" 47 x 24cm	18.5 x 9.5" 47 x 24cm
Overall Width	25" 63.5cm	25" 63.5cm	25" 63.5cm
Overall Length	25.6" 65cm	25.6" 65cm	25.6" 65cm
Depth Folded	11" 28cm	11" 28cm	11" 28cm
Wheel diameter	8" 200mm	8" 200mm	8" 200mm
Weight Capacity of rollator	250lbs 113Kgs	250lbs 113Kgs	250lbs 113Kgs
Weight capacity of basket	11lbs 5Kgs	11lbs 5Kgs	11lbs 5Kgs
Product weight	15.4lbs 7Kgs	15.6lbs 7.1Kgs	15.8lbs 7.2Kgs



**TRIUMPH MOBILITY, INC.** 151 Bentley Ave., Unit 4. Nepean, ON, K2E 6T7  
 info@triumphmobility.com, 1.855.546.0711