

# REVOLUTION



## Item# F-702RNLA

The Revolution Lift provides the ability to service both above and in ground pools & spas. This extremely versatile lift accommodates up to 500\* pounds and the variety of accessories available make the Revolution lift ideal for hospital and rehabilitation facilities.



U.S. Patent No.  
D507,769 S



### FEATURES:

- UL Certified
- 500 lb (227 kg) weight capacity\*
- Clearances vary by wall height & width
- Setback range 21" - 36" (54 - 91 cm) - standard model
- 360 degree powered rotation in either direction
- 22" wide (56 cm) seat
- Flip-up armrests
- Five year structural warranty
- Five year pro-rated electronics warranty

\*400 lb (181 kg) weight capacity for deep draft version

Lift also available in the following versions:

- Spa version for above ground spas
- Deep draft version for up to 14" (35 cm) deck to water draft

### ACCENT COLORS

Available in a variety of accent and powder coat colors



\*Blue seat standard (not a powder coat option)

### OPTIONS/ACCESSORIES:

F-710RLA	Anchor kit, standard 2" ID x 8" deep
FC-77RLA-C	Anchor kit, semi-recessed, shallow concrete deck
F-720SSC	Cover, standard lockable, blue
F-720SSC-G	Cover, standard lockable, gray
F-720SSC-T	Cover, standard lockable, tan
F-019CA	Cycle attachment
F-422PLH-2	Headrest
F-045SCH	Solar charging station
F-714RTC	Transport cart

### ITEM #

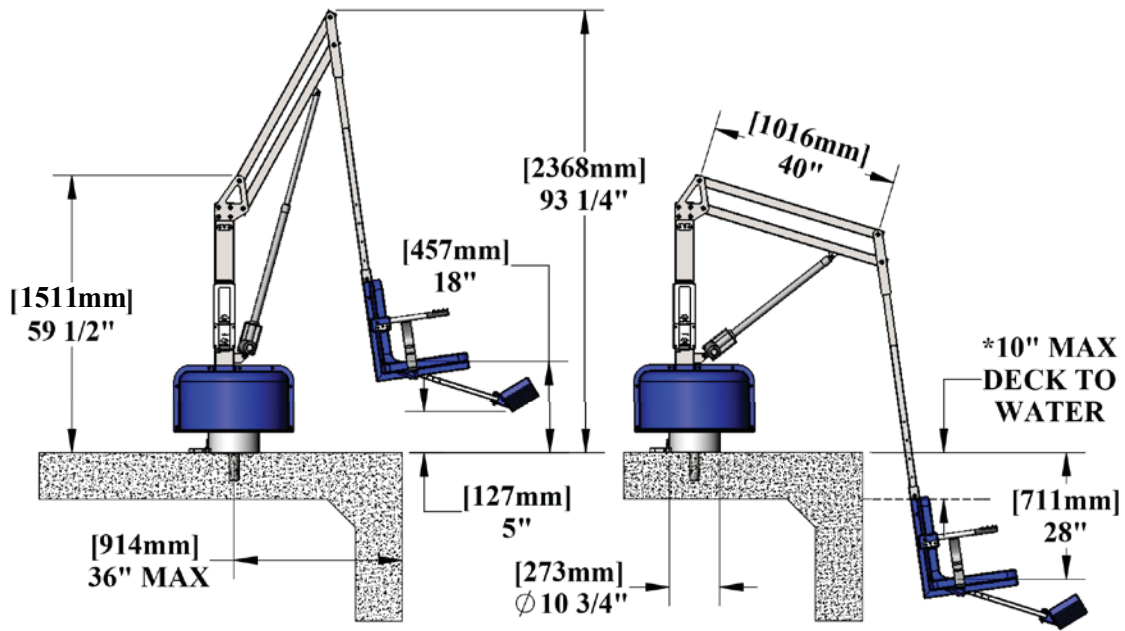
### DESCRIPTION

F-702RLNA	Revolution Lift, no anchor
F-702RLNA-DD	Revolution Lift, deep draft, no anchor*
F-702RLNA-SPA	Revolution Lift, spa arm, no anchor*

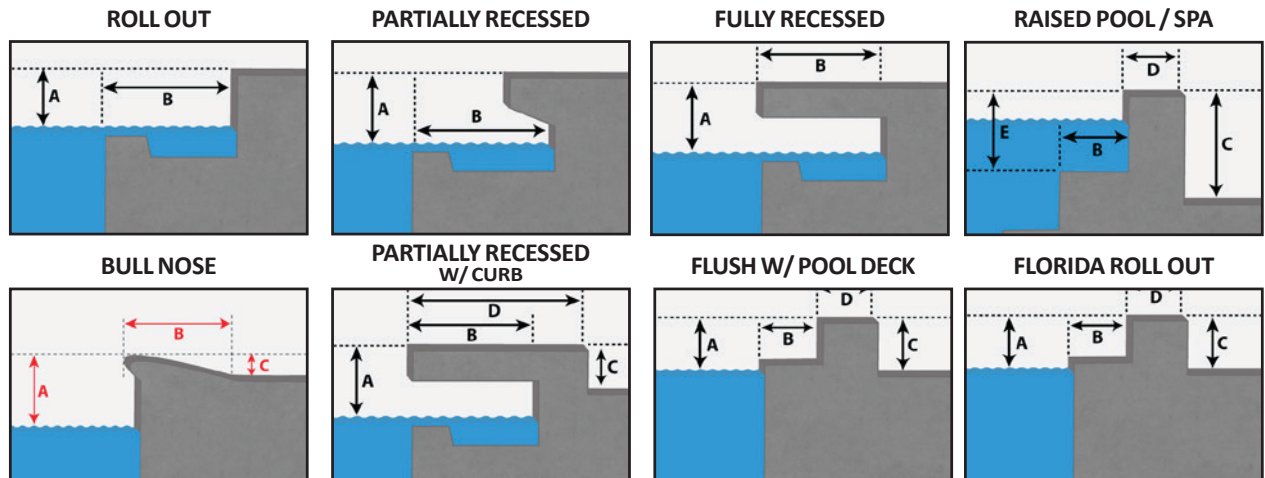
**PROUDLY SOLD BY:**

# THE REVOLUTION LIFT

## PRODUCT SPECIFICATIONS



## APPLICABLE POOL PROFILES



\*provide measurements indicated to confirm application or use online pool lift selector

To confirm specific application go to [www.aquacreek.com](http://www.aquacreek.com) for our Pool Lift Selector  
 Become a member of our new Dealer and Architect page. Access to CAD blocks,  
 CSI specs and sales materials.