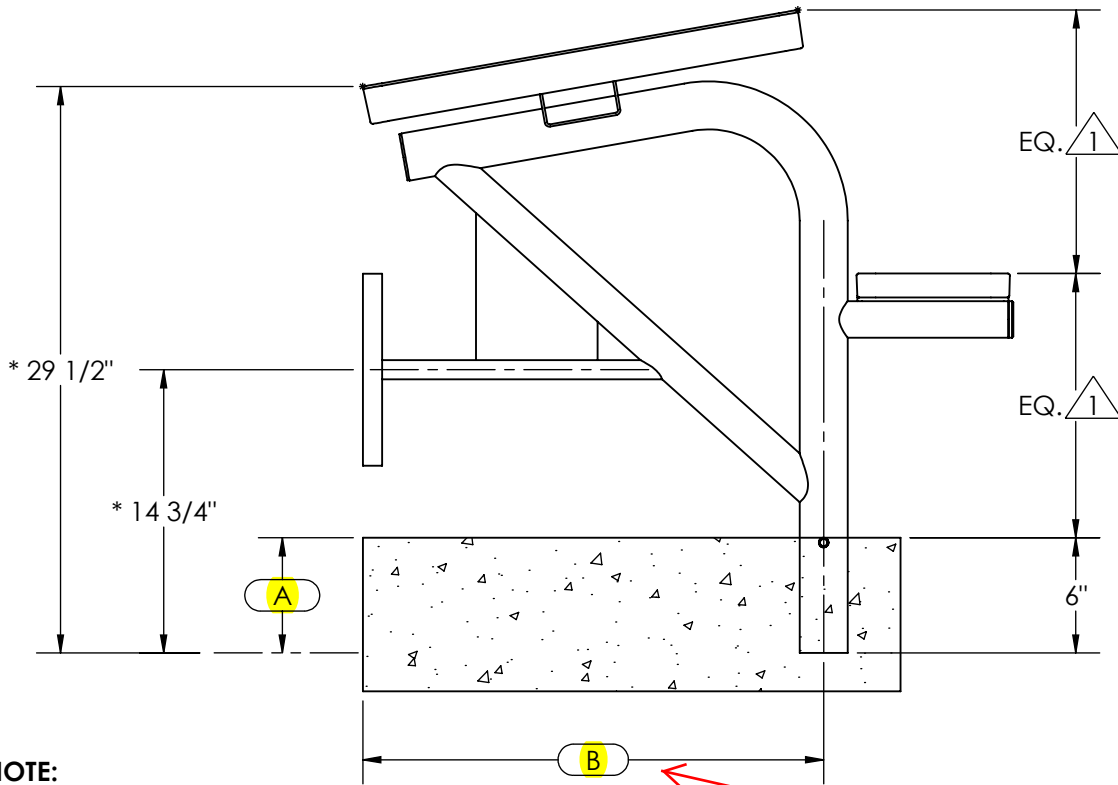


# MEASURE GUIDE STARTING PLATFORM

FORM MG-SP



**NOTE:**

Field measurements are required for the product you wish to order. Please provide product accurate measurements to eliminate delays or errors in the design and manufacturing.

\* These dimensions are standard production for Spectrum Products and meet FINA, NCAA, USAS, USMS and NFHS height requirements. Please contact your Spectrum Products sales representative if you would like to vary these dimensions.

\*\*Step side is determined by standing behind your starting block facing the pool.

If your deck has a slope, dimension (A) should be taken from the surface of the water to the level where the starting platform post(s) meets the deck.

**SETBACK RANGE: 18"-30" WITH A RECOMMENDED SETBACK OF 24"**

<b>X</b>	<b>**STEP SIDE</b>
	LEFT ENTRY
	RIGHT ENTRY
	REAR ENTRY
<b>X</b>	<b>STARTING BLOCK COLOR</b>
	BLUE
	GREEN
	RED
	WHITE
	YELLOW

	DESCRIPTION	MEASUREMENT ROUND TO THE NEAREST 1/2"
A	WATER DRAFT	
B	SETBACK	



7100 Spectrum Lane  
 Missoula, Montana 59808  
 406.542.9781 \* 800.791.8056  
 Fax: 406.542.1158  
 www.spectrumproducts.com

Submitted By: \_\_\_\_\_

Signature: \_\_\_\_\_

Date: \_\_\_\_\_