



OWNERS MANUAL

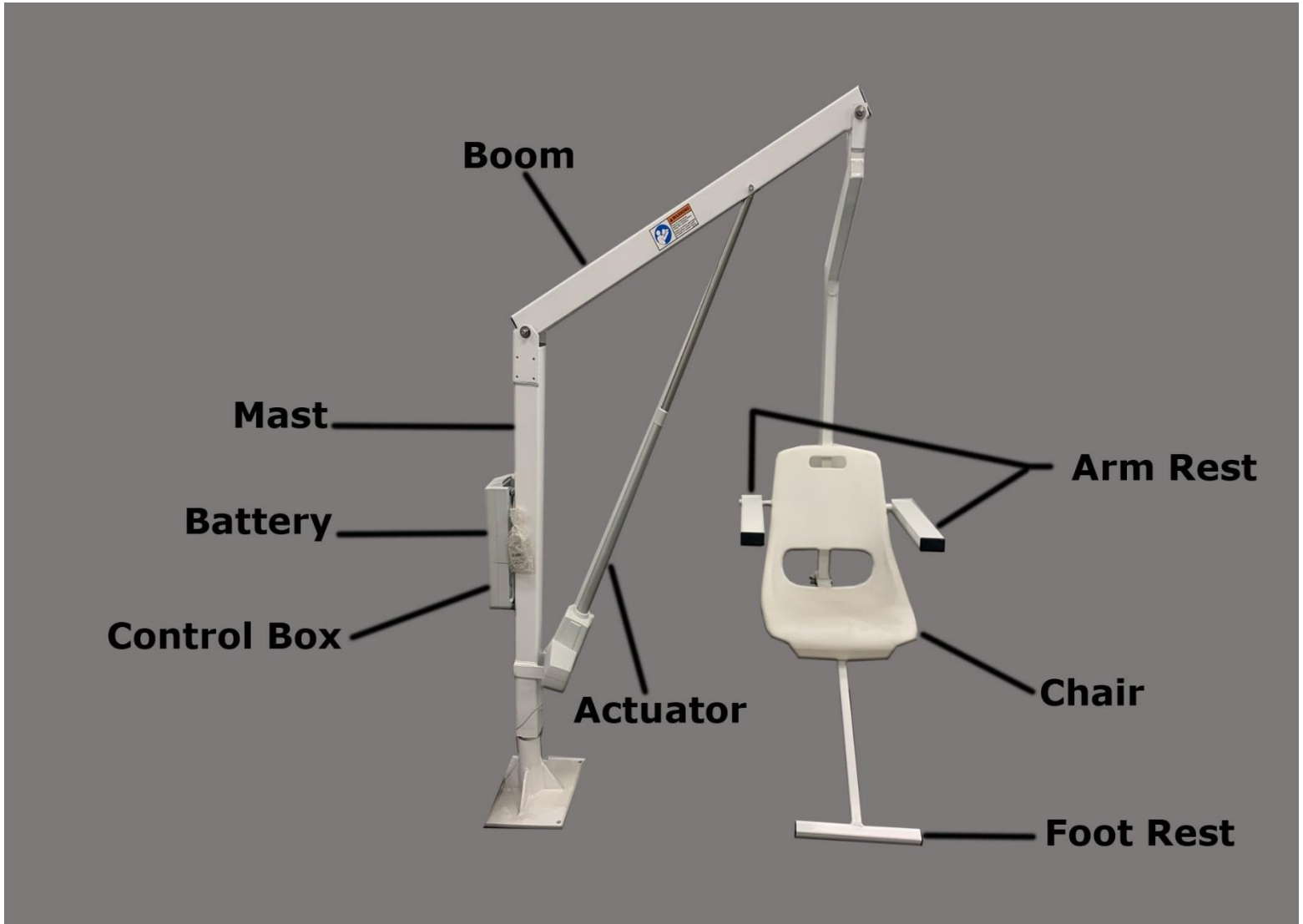
Model # 100287 - 100289

402 E Haven St. Eaton Rapids 48827
www.lifeguardlift.com

Table of Contents

Assembled Lift	P 2
Lift Assembly	P 3
Downtube & Seat Assembly	P 4
Hardware Kits	P 5
Disassembly	P 6
Control System	P 6
Plug Orientation	P 7
Remote Control	P 7
Operating Instructions	P 8
Pool Entry	P 9
Pool Exit	P 9
Safety & Care	P 10
Specifications	P 10
Components	P 11
Troubleshooting	P 12
Warranty	P 13

Assembled Lift Diagram



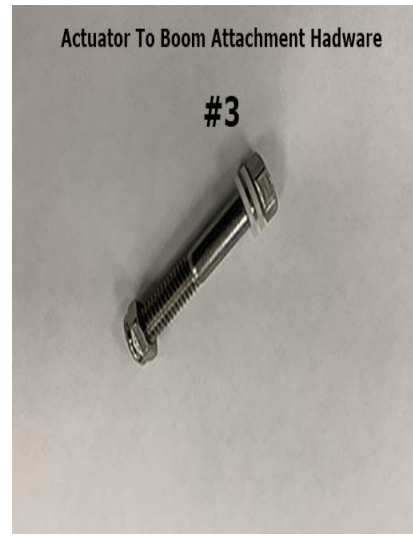
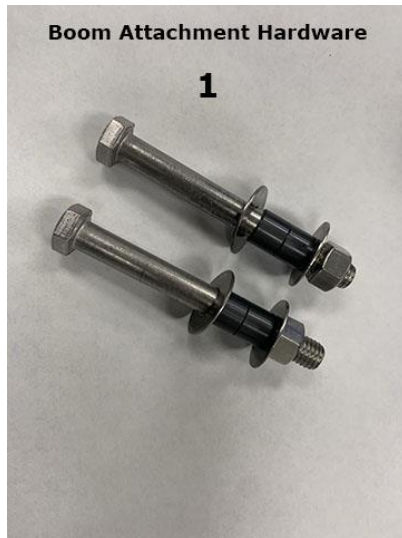
Lift Assembly

1. Insert anchor bushing into the anchor.
2. Insert the mast assembly into the anchor bushing. Make sure that the mast assembly is resting firmly inside the anchor.
3. Attach the boom to the mast by inserting one piece of hardware **kit #1**. Make sure that the hardware is inserted properly with two washers on either side & bushings on either side of the boom.
4. Attach the actuator to the mast using hardware **kit #2**. Using a washer on one side, and lock washer and nut on the other. Be sure to put a bushing on either side of the actuator. **(NOTE: This hardware will be shipped attached to the mast)**
5. Attach the actuator rod to the boom with hardware **kit #3**. Be sure to place a washer on either side. **(NOTE: This hardware will be shipped attached to actuator rod)**
6. Attach the down tube to the boom with the remaining piece of hardware **kit #1**.
7. Bolt the seat assembly to the down tube with two (2) 1/2" x 3" bolts with a washer on each side and lock washer/nut on one side. **Kit #4** Tighten the bolts to 10-ft lbs.
8. Attach the armrest to the down tube side using (2) 1/4" x 4" bolts with washer, lock washer and nut. Hardware **kit #5**.
9. Slide the footrest under the seat and into the flange. Secure with hardware **kit #6**. Make sure to place a washer on either side.
10. Remove screw from the control box/battery bracket on the back of the mast. Slide the control box on to the bracket making sure it hooks in place. Re-install the screw tightening the control box to the bracket.
11. Slide the battery on top of the control box while pulling back on the battery lever. Once installed you should hear an audible click as the battery is seated on to the control box/bracket.
12. Plug the remote into the control box, lining up the notch on the plug and control box. Push firmly into place.
13. Plug the actuator wire into the control box using the #1 spot on the control box. Push firmly into place.
14. Plug the rotational wire in to the control box using the #2 spot on the control box. Push firmly into place.

Down Tube & Seat Assembly



Hardware Kit's



Disassembly

NOTE: the actuator must be in the retracted position.

1. Remove the battery by pressing in on the latch release and lift off.
2. Unplug the remote control, the rotation plug, and actuator plug from the control box.
3. Unscrew the control box retaining screw and remove control box.
4. Detach and remove the down tube/seat assembly.
5. Detach the actuator connection from the boom.
6. Loosen and remove the actuator to mast nut and bolt. Replace the actuator retaining hardware back on to mast finger tight, for storage.
7. Detach and remove the boom.
8. Remove the mast from the anchor. Remove the bushing and replace the anchor lid.

Control System

The LifeGuard Power Lift battery operating system includes a Linak 24V waterproof control box with a waterproof remote control. Battery charging is provided by a battery charger equipped.

Battery

Normal charging time should not exceed four (4) hours. If not used, the battery should be charged once per month. A fully charged battery should provide approximately 30 lifting cycles for an average weight adult occupant before charging is required.

Battery Charger

The battery charger comes with a wall mount to easily charge your battery. (Mounting hardware not included) **WARNING: Failure to keep battery charged can result in serious injury or death.**



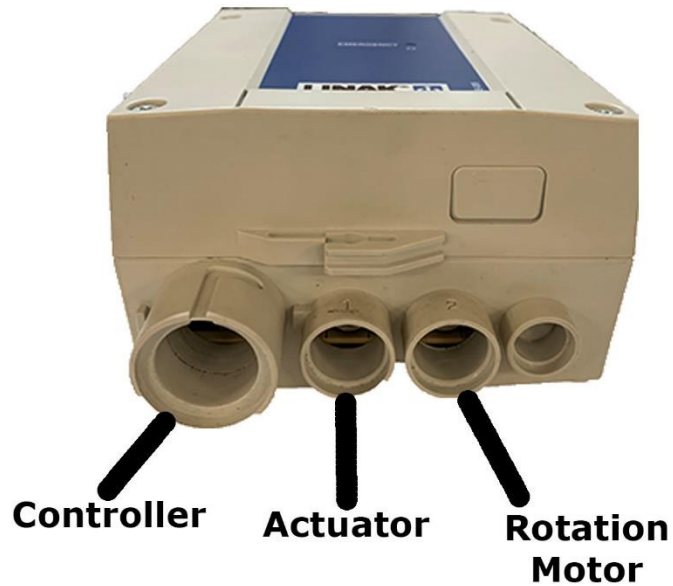
Battery Storage

When the lift is not in use, the battery never should be in the battery box on the lift. The battery must be stored and charged in a safe, cool and dry location.

WARNING: The battery must never be charged on the lift or near the water.



Control Box Plug Orientation

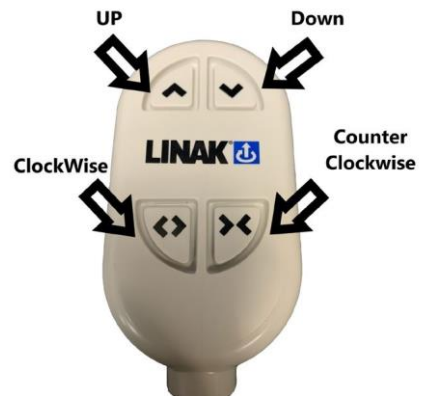


Remote Control

The lift is equipped with a waterproof remote control.

The remote control is for the operator or an assistant operator.
The control is brightly marked for ease of operation.

The remote control is programmed to perform four (4) functions as shown in the picture.



Operating Instructions

A. Raising and Lowering Seat

1. **UP** button: Pressing the UP button raises the seat when the button is depressed until the lift reaches its maximum up position. Releasing the button will stop the operation.
2. **DOWN** button: Pressing the DOWN button lowers the seat when the button is depressed until the lift reaches its full down position. Releasing the button will stop the operation.

B. Rotation

3. **Clockwise Rotation**: Pressing the Clockwise button rotates the lift in a clockwise direction. The lift will continue to rotate in this direction until the button is released.
4. **Counterclockwise Rotation**: Pressing the counterclockwise button rotates the lift in a counterclockwise direction. The lift will continue to rotate in this direction until the button is released.



WARNING: Failure to observe the following warnings can result in severe injury or death.

WARNING: Operator of the lift must read and understand the operating instructions.



WARNING: Operate the lift exactly as described in the transfer procedure described within.



WARNING: Do not exceed the maximum lifting capacity of 350 lbs. (158 kilos)



WARNING: Children are strictly prohibited from playing on or near the lift.



WARNING: Children may operate the lift only under close adult supervision.



WARNING: The lift must never be operated in a pool with no water in it.



WARNING: Never direct water pressure towards electronic controls or components.

WARNING: Do not rotate the lift directly into the pool wall, spa wall, or deck.



WARNING: Make sure that the lift is properly installed and always operated properly in accordance with the operating instructions.



WARNING: Users must never attempt to get onto or off the lift in the area between the mast and the pool edge.

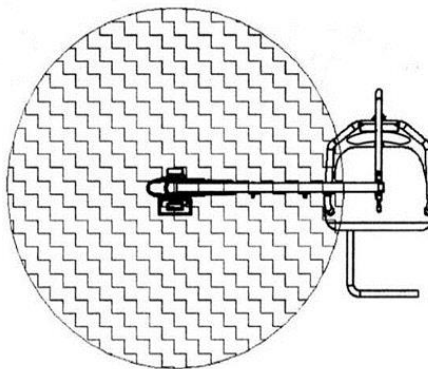


Pool Entry

1. When the lift is in place, make a visual inspection, and make a short test run.
2. Using the hand controller, rotate the seat in the counterclockwise direction until it reaches a safe and comfortable position for transfer.
3. Raise or lower the seat to the proper transfer height and raise the arm rest.
4. Transfer the occupant onto the seat, positioning the occupant's weight in the center of the seat.
5. Lower the arm rest.
6. When the occupant is safely secure in the seat, raise the seat for additional legroom for the occupant to rotate the seat.
7. Rotate the seat in the clockwise direction to a position above the water.
8. Lower the seat into the pool to the desired level. Unfasten the seat belt and raise the arm rest to its upright position. It is now safe for the occupant to enter the pool.

Pool Exit

1. When water activity is finished, the occupant returns to the seat, using the pool edge to center the occupant's body weight on the seat.
2. Return the left arm rest to its down position and fasten the safety belt.
3. Raise the seat to a height that the occupant determines will allow ample leg room to rotate the seat safely.
4. Rotate the seat in the counterclockwise direction to the same spot where the occupant transferred onto the seat and raise or lower the seat to a safe transfer height.
5. Raise the arm rest to its upright position, unfasten the safety belt and transfer the occupant from the seat.



WARNING
DO NOT ATTEMPT TO ENTER THE CHAIR FROM THE HATCHED AREA.
(BETWEEN MAST AND CHAIR).

Safety and Care

1. Remove and store the lift when it is not in use.
2. Inspect the lift each time before use to ensure that there are no worn parts or loose hardware.
3. Check and charge the battery as needed.
4. When cleaning the lift, use a non-abrasive soap and wipe dry with a soft non-abrasive cloth. Do not use any harsh chemicals or disinfectants.



WARNING: Do not move the lift with the battery and battery cover in place.



WARNING: Storing the lift in a pump or storage room, where pool or other corrosive chemicals or materials are stored may damage the lift and will void the Warranty.

Specifications

A. Range of Motion

1. 360 degrees
2. Lifting range: 19" height, 26" depth below deck (dimensions from seat base height)
3. Overall height is 72" with the boom up and 27" with the boom down.
4. Overall sweep radius is 56"

B. Dimensions and Capacity

1. Maximum lifting capacity is 350lbs.
2. Battery life is 35/40 cycles.
3. Lift Weight (less battery) = 79 lbs.
 - a. Mast - 48 lbs.
 - b. Boom - 8 lbs.
 - c. Down Tube with foot rest and arm rest - 23 lbs.

Components

1. Linak Actuator (24V)
2. Linak Remote Controller
3. Linak Control Box
4. Linak Battery - 24V
5. Planetary Gear Motor - (Waterproof to 6ft deep)
6. Ground Lug per NEC code.
7. Material and Finish
 - a. Aluminum: 6061 - T6
 - b. Stainless Steel: Grade 304 and/or 18-8
 - c. Lift Powder Coating: Marine Grade

PART NUMBER	DESCRIPTION
25105	Actuator
29501	Control Box
25051	Battery, 24v
29502	Remote Controller
27080	Clevis Pin #1
27081	Clevis Pin #2
27082	Clevis Pin #3
23120	Anchor Cap
25616	Anchor Bushing
25010	Battery Charger
25555	Seat Belt
29114	Warning Label

Trouble Shooting

Problem	Cause	Solution
Seat will not rotate	<ol style="list-style-type: none"> 1) Low Battery 2) Loose connections at control box 	<ol style="list-style-type: none"> 1) Recharge the battery 2) Firmly reconnect the cables on the control box
Seat will not raise or lower	<ol style="list-style-type: none"> 1) Battery not installed properly 2) Loose connections at control box 	<ol style="list-style-type: none"> 1) Reinstall battery 2) Firmly reconnect cable at control box
Hand controller malfunction	<ol style="list-style-type: none"> 1) Manufacturing defect 2) Damage or Misuse 3) Loose connection at control box 	<ol style="list-style-type: none"> 1) Firmly reconnect cable at control box 2) Replace the controller
Seat travels slower than normal	<ol style="list-style-type: none"> 1) Low battery 2) Poor connection to control box 3) Defective or worn out battery 	<ol style="list-style-type: none"> 1) Recharge battery 2) Remove battery and clean battery and control box leads Replace the battery

WARRANTY

Lifeguard Lift, Inc. Limited Warranty LifeGuard Lift, Inc. warrants to the original end user purchaser that products manufactured by LifeGuard Lift, Inc., when properly installed in accordance with the assembly and installation instructions, and when properly used and maintained, shall be free from defects in material and workmanship as follows:

Frame excluding paint - five (5) years.

Electrical components including the actuator - two (2) years.

Warranty periods begin to run from the date of original purchase.

This warranty specifically excludes reimbursement for labor to remove, repair, or to install or reinstall the product and specifically excludes any shipping charges.

This warranty does not cover any damage due to:

- 1.Exceeding the specified weight capacity of 350 lbs. (158 kg)
- 2.Failure to install or to assemble the lift in accordance with the installation and assembly instructions
- 3.Failure to properly maintain the product
- 4.Misuse, abuse, or negligence
- 5.Accident
- 6.Normal wear and tear from day-to-day operations
- 7.Any alteration or repair or without the prior written approval by LifeGuard Lift

To initiate a warranty claim, the owner of an LifeGuard Lift product must submit to Lifeguard Lift, Inc. a Return Merchandise Authorization form stating the date and place of purchase, a full description of the product, its serial number, the date of installation, and the exact nature of the defect. Within thirty (30) days after receipt by LifeGuard Lift of a written warranty claim, and barring any unforeseen delays, the claimant will be notified of LifeGuard Lift decision regarding the claim. If requested by LifeGuard Lift, any defective product must be returned, freight prepaid, to LifeGuard Lift designated factory location or duly appointed distributor for inspection and/or repair. At its option, Lifeguard Lift, Inc. will repair or replace the failed or defective item and will deliver the repaired product or replacement to the claimant. Products returned to LifeGuard Lift for which it provides replacement under this limited warranty shall become the property of LifeGuard Lift.

A new warranty period shall NOT be established for any repaired or replaced products. Repaired or replaced products will remain under warranty only for the remainder of the original warranty period for the original product purchased.

THIS WARRANTY IS IN LIEU OF ALL OTHER WARRANTIES, EXPRESSED OR IMPLIED, WHICH HEREBY ARE DISCLAIMED AND EXCLUDED, INCLUDING WITHOUT LIMITATION ANY WARRANTY OF MERCHANTABILITY OR FITNESS FOR A PARTICULAR PURPOSE OR USE. THE SOLE AND EXCLUSIVE REMEDY FOR BREACH OF THIS WARRANTY SHALL BE LIMITED TO REPAIR OR REPLACEMENT AT LIFEGUARD LIFT, INC.'S DESIGNATED FACTORY LOCATION OR DULY APPOINTED DISTRIBUTOR, OR IN PLACE AT LIFEGUARD LIFT, INC.'S OPTION. IN NO EVENT SHALL LIFEGUARD LIFT, INC.'S LIABILITY EXCEED THE ENTIRE AMOUNT PAID BY THE ORIGINAL PURCHASER FOR THE FAILED OR DEFECTIVE PRODUCT. IN NO EVENT SHALL LIFEGUARD LIFT, INC. BE LIABLE FOR ANY INCIDENTAL, CONSEQUENTIAL, SPECIAL, INDIRECT, PUNITIVE OR EXEMPLARY DAMAGES OR LOST PROFITS FROM ANY BREACH OF THIS LIMITED WARRANTY OR OTHERWISE.

This written limited warranty constitutes the final, complete and exclusive statement of warranty terms. No person or organization is authorized to make any other specific or implied warranties or representations on behalf of LifeGuard Lift. No employee, distributor, dealer, representative, or other person or organization has the authority to:

- 1.Make any representation concerning this product
- 2.Modify any term or condition contained in this warranty
- 3.Grant any other warranty on behalf of or binding on LifeGuard Lift

Anyone's attempt to do anything listed in the above 3 numbered paragraphs, the warranty will be null and void

LifeGuard Lift
402 Haven St
Eaton Rapids, MI 48827