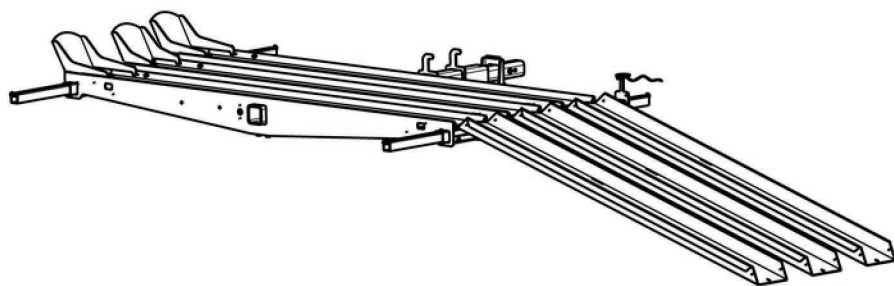
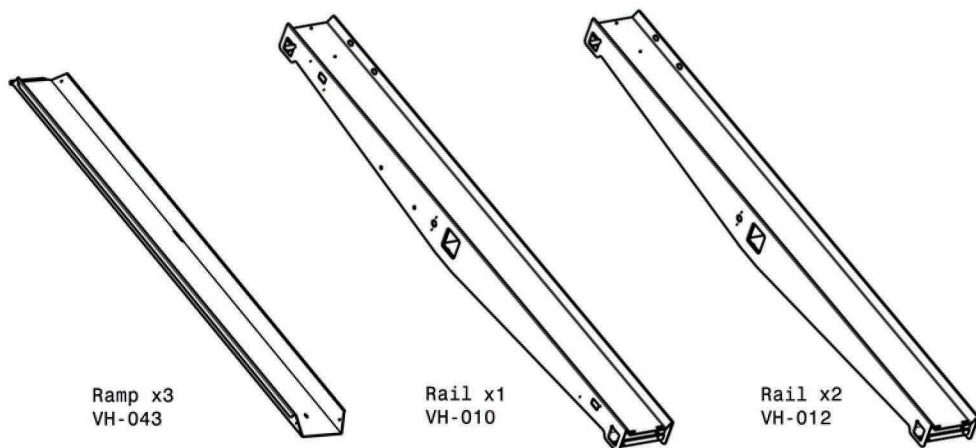


# VH-MP3 INSTRUCTION BOOKLET



## Parts



Ramp x3  
VH-043

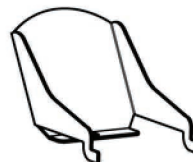
Rail x1  
VH-010

Rail x2  
VH-012

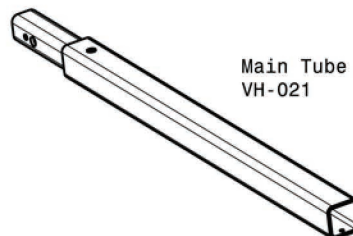
Extended Wheel Stop x2  
VH-050C



Wheel Stop x1  
VH-050



Tie Down Tube x4  
VH-031



Main Tube  
VH-021

Long Tube x2  
VH-037MP3



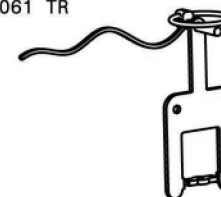
Anti-tilt  
Bracket x1  
VH-070



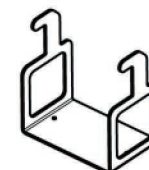
Snap Pin x4  
VH-200










Single Tab Ramp Bracket Extended x1  
with Snap Collar Pin x1  
VH-061 TR

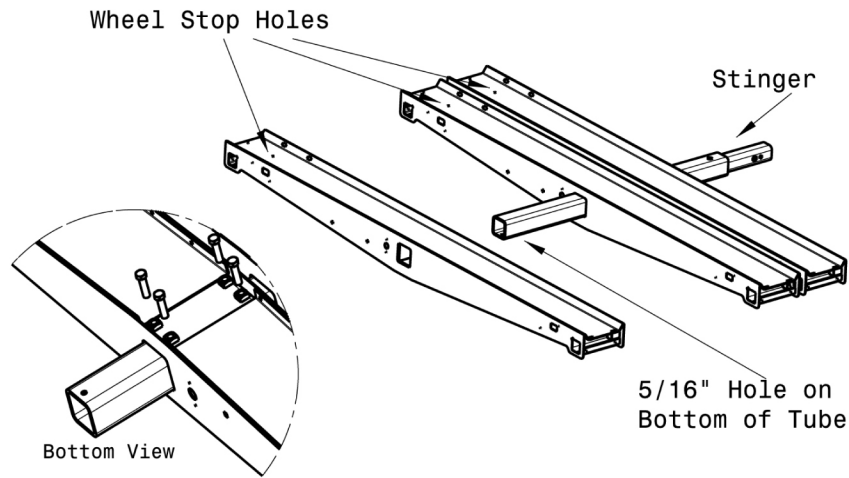


Double Tab Ramp Bracket x1  
VH-060 TR



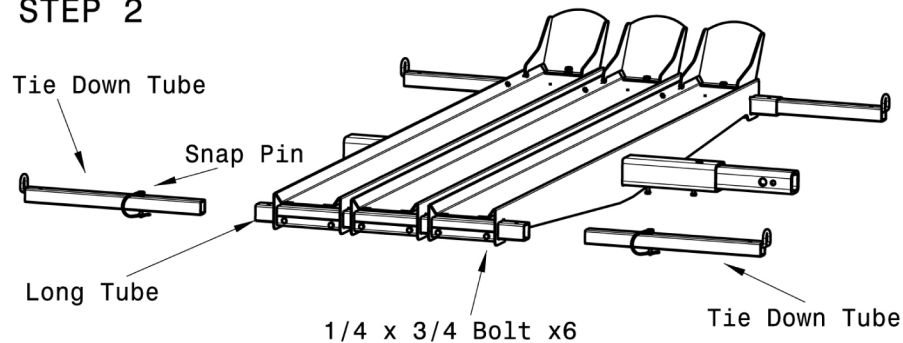
-  x12 Main Tube Lock Bolts  
3/8" x 1 1/4" bolts  
VH-230
-  x15 Tie Down Bolts  
1/4" x 3/4" Bolts  
VH-210
-  x4 5/16" Washer  
for 5/16" bolts  
VH-225
-  x1 Main Tube Safety Bolt  
5/16" x 1/2" Bolt  
VH-221
-  x3 Wheel Stop Bolts  
5/16" x 3/4" bolts  
VH-220
-  x1 5/16" Nuts  
for Adjustable Bolts  
VH-223
-  x4 5/16" Lock Washer  
for 5/16" bolt  
VH-222

## STEP 1



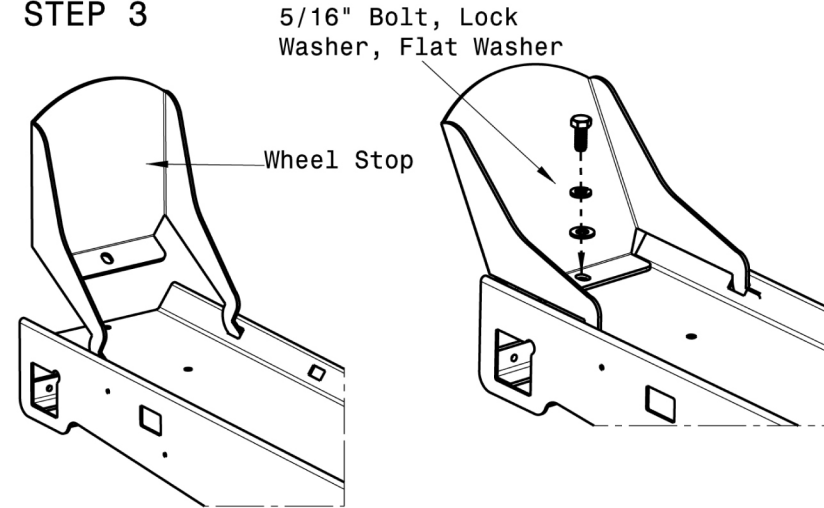
Insert the Main Tube into the VH-55 Main Rails and secure with the x4 3/8" x 1 1/4" Bolts on the bottom of each Rail. The bolts are to be tightened up against the bottom of the main tube. Be sure the holes for the wheel stops are all located on the same side of the carrier and the 5/16" hole in the end of the Main Tube is on the bottom to ensure proper assembly.

## STEP 2



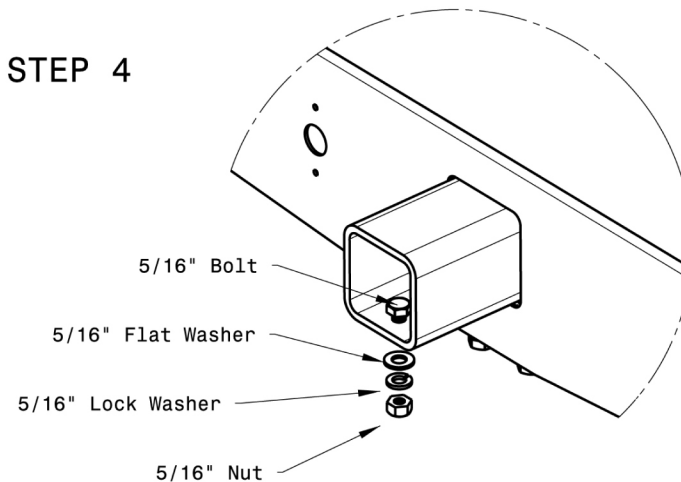
Insert Long Tube through all three VH-55 Main Rails. Tighten 1/4" x 3/4" bolts against the Long Tube to hold in place. Insert Tie Down Tubes on either side of Long Tube as shown and attach using Snap Pin. Repeat process on other side of carrier.

## STEP 3



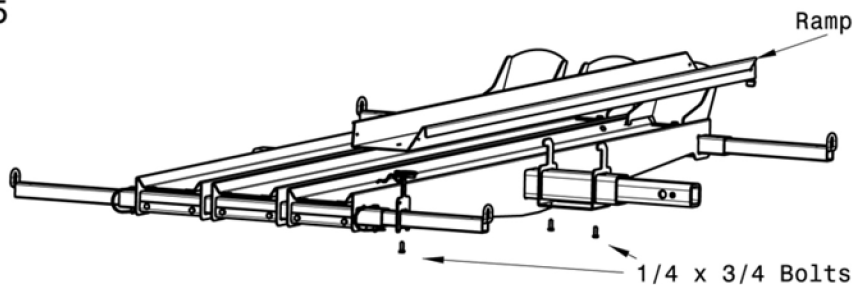
Insert the two tabs on the Wheel Stop into the slots on the top of the VH-55 Rail. Fasten it to the rail with the 5/16" Bolt, Lock Washer, and Flat Washer in that order. Repeat on each rail.

## STEP 4



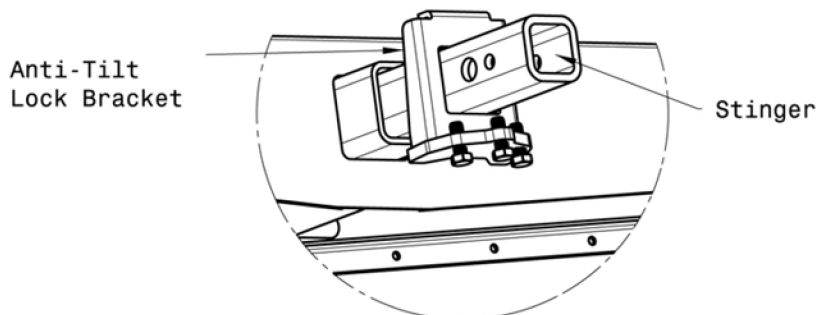
As a final precaution, install the 5/16" x 1/2" Bolt in the hole at the end of the tube and securing with the Flat Washer, Lock Washer, and Nut.

## STEP 5



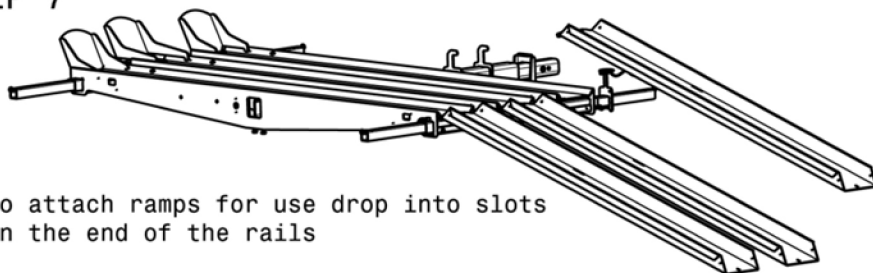
Slide Double Tab Ramp Bracket on Main Tube and Single Tab Ramp Bracket on Tie Down Tube. Attach each using the 1/4 x 3/4 bolts. To store ramps remove snap pin and stack ramps on the Ramp Brackets then replace snap pin.

## STEP 6



To attach your assembled Versahaul to your vehicle, first slip the Anti-tilt Bracket over the stinger as shown, making sure the bolts are toward the vehicle. Insert the stinger into the receiver and secure it with a hitch pin. Tighten all three 3/8" x 1 1/4" hex head bolts on the Anti-tilt Bracket against the bottom of the receiver using a 9/16" wrench.

## STEP 7



To attach ramps for use drop into slots on the end of the rails

## Warning

A warning indicates a potentially hazardous situation which, if not avoided, could result in death or serious injury.

1. Read all instructions and save them for later reference.
2. Follow all warnings and instructions marked on the product.
3. Do not stand on the Versa-Haul.
4. Do not ride any vehicle during loading.
5. Store Versa-Haul carrier in a safe place.
6. Do not exceed vehicle tongue weight rating.
7. Only use with class III hitch.  
Most class III hitches limit Versa-Haul to 500 lbs. total hauling capacity.
8. Improper use of carrier could result in death or serious injury.
9. Do not put Versahaul onto a 5th wheel trailer or any other kind of trailer.
10. **VH-AM carrying capacity is limited to 600 lbs max (500 lbs/rail). Your vehicle suspension and hitch may limit the hauling capacity of the carrier.** For more information on vehicles and hauling capacities, visit [www.versahaul.com](http://www.versahaul.com)

### Manufacturer Information

Manufacturer's Name: BNK, Inc.

Manufacturer's Address:

BNK, Inc.  
9341 S. St. Rd. 39  
Winamac, IN 46996  
(888) 818-9915

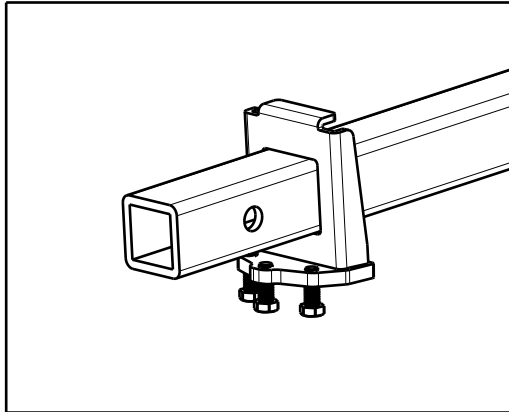
Product Name: Versa-Haul  
Product Description: Versa-Haul 3 Ramp Carrier  
Model Number(s): VH-MP3  
Patent Number: D551420

Serial number \_\_\_\_\_  
(please fill in serial number affixed to Versa-Haul)

# Anti-Tilt Bracket Installation Guide

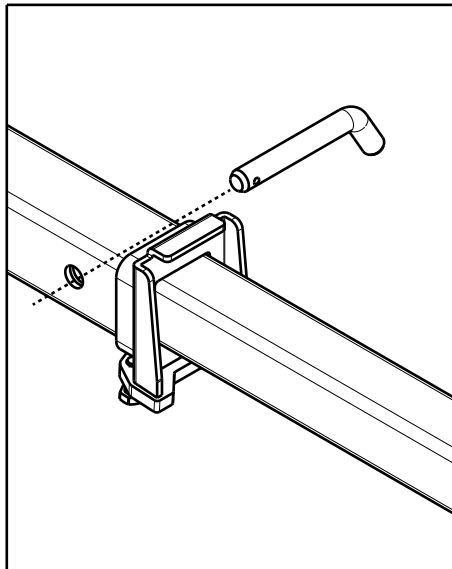
P/N: VH072

## STEP 1



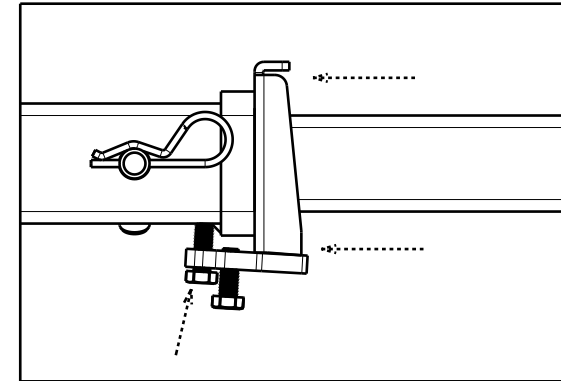
Mount the three 3/8" bolts to the bracket. Insert bracket to the main tube as shown in figure above.

## STEP 2



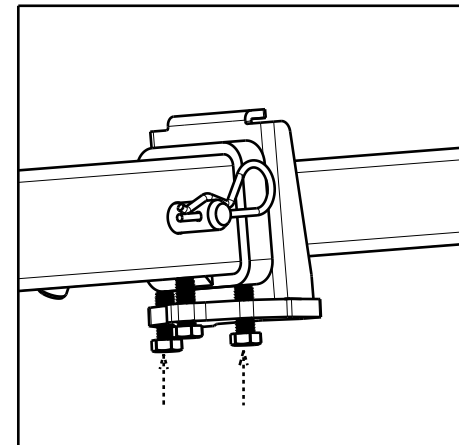
Insert main tube to vehicle's receiver hitch and install hitch pin (not included).

## STEP 3



Position the anti-tilt bracket such that it sits flush against the hitch collar. Tighten center bolt until it fits snugly against the receiver hitch underside. Due to variation between hitches, the center bolt might land on the weldment or collar edge.

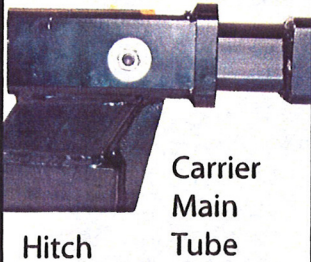
## STEP 4



Tighten the two side bolts; then re-tighten the center bolt. Make sure the bolts are tight enough such that no slack exist between the main tube and the hitch. Test by rocking the carrier from the sides. Road vibration may cause bolts to loosen over time. Check the bolts periodically.

NOTE: It is normal for some deformation to occur on the contact area between the main tube and the anti-tilt bracket.

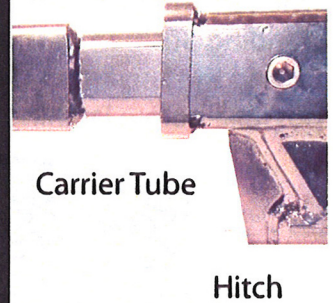
Bolt Head Side View



Top View



Nut and Washer Side View



If the Anti-Tilt Lock Bracket does not fit, there is an alternative. Use the Anti-Tilt Hitch Attachment Bolt. The Anti-Tilt Hitch Attachment Bolt has a 7/18" thread size, a 3/8" Allen head size, and a 5/8" outer head size. Follow these instructions: Slide the Main Tube of the carrier into the hitch receiver. Secure the Main Tube to the receiver with the Anti-Tilt Bolt, Washer, and Nut as shown in the image. The Bolt must be inserted into the 7/16" hole, not the 5/8" hole. **Note: Do not put a washer at the bolt head.** The bolt head should be recessed into the receiver hole and putting pressure on the Main Tube of the Carrier inside the receiver.

## Anti-Tilt Lock Bracket (Alternative) Instructions

